



fischer Zykon-Panel Anchor FZP II

Product description

Undercut anchor for natural stone from 2 cm panel thickness. Application with reveal angle or other attachment parts.

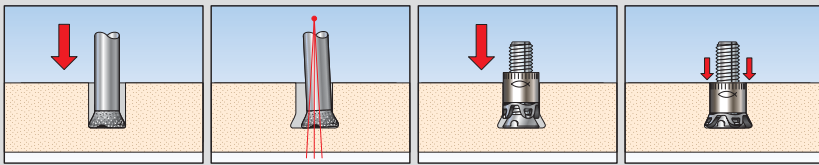
Advantages / benefits

- Stress-free fixing in natural stone
- Anchoring not visible from front of facade
- Static optimised position of anchor
- Higher collapse loads than traditional systems
- Fast and easy installation of reveal

Installation

Special drilling machines from fischer, are necessary for the drilling of the undercut hole. The anchor will be installed by a special fischer setting tool.

Drilling / anchor setting



Approval



Technical data

| Type | Item | Installed anchor length mm a | Drill hole-Ø mm | Anchorage depth mm | Thread diameter | Bolt projection length mm b | Box quantity pieces |
|------------------------|----------------|-------------------------------------|-----------------|--------------------|-----------------|------------------------------------|---------------------|
| FZP II 11x12 M6/13 A4* | 512 131 | 12 | 11 | 12 | M6 | 13 | 250 |
| FZP II 11x12 M6/18 A4* | 512 133 | 12 | 11 | 12 | M6 | 18 | 250 |
| FZP II 11x15 M6/10 A4* | 512 134 | 15 | 11 | 15 | M6 | 10 | 250 |
| FZP II 11x15 M6/18 A4* | 512 135 | 15 | 11 | 15 | M6 | 18 | 250 |
| FZP II 13x15 M8/10 A4* | 512 136 | 15 | 13 | 15 | M8 | 10 | 250 |
| FZP II 13x15 M8/15 A4* | 512 137 | 15 | 13 | 15 | M8 | 15 | 250 |
| FZP II 13x15 M8/23 A4* | 512 138 | 15 | 13 | 15 | M8 | 23 | 250 |
| FZP II 13x15 M8/28 A4* | 512 139 | 15 | 13 | 15 | M8 | 28 | 250 |
| FZP II 13x17 M8/17 A4* | 512 140 | 17 | 13 | 17 | M8 | 17 | 250 |
| FZP II 13x21 M8/9 A4* | 512 141 | 21 | 13 | 21 | M8 | 9 | 250 |
| FZP II 13x21 M8/17 A4* | 512 142 | 21 | 13 | 21 | M8 | 17 | 250 |
| FZP II 13x21 M8/22 A4* | 512 143 | 21 | 13 | 21 | M8 | 22 | 250 |

* European Technical Approval ETA-11/0145

Application example

■ **Anchor in panel**
FZP II, granite



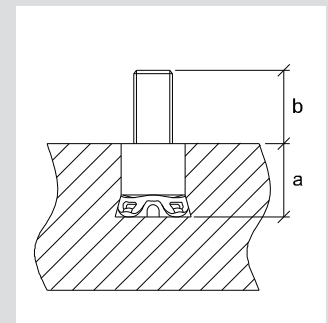
■ Reveal

Facade panel with FZP II and reveal angle assembled



■ Natural stone facade

with FZP II and reveal angle



ACT Service

fischerwerke GmbH & Co. KG

Weinhalde 14-18 · D-72178 Waldachtal

Phone +49 (0)74 43 12-45 53 · Fax +49 (0)74 43 12-49 07

act@fischer.de · www.fischer.de